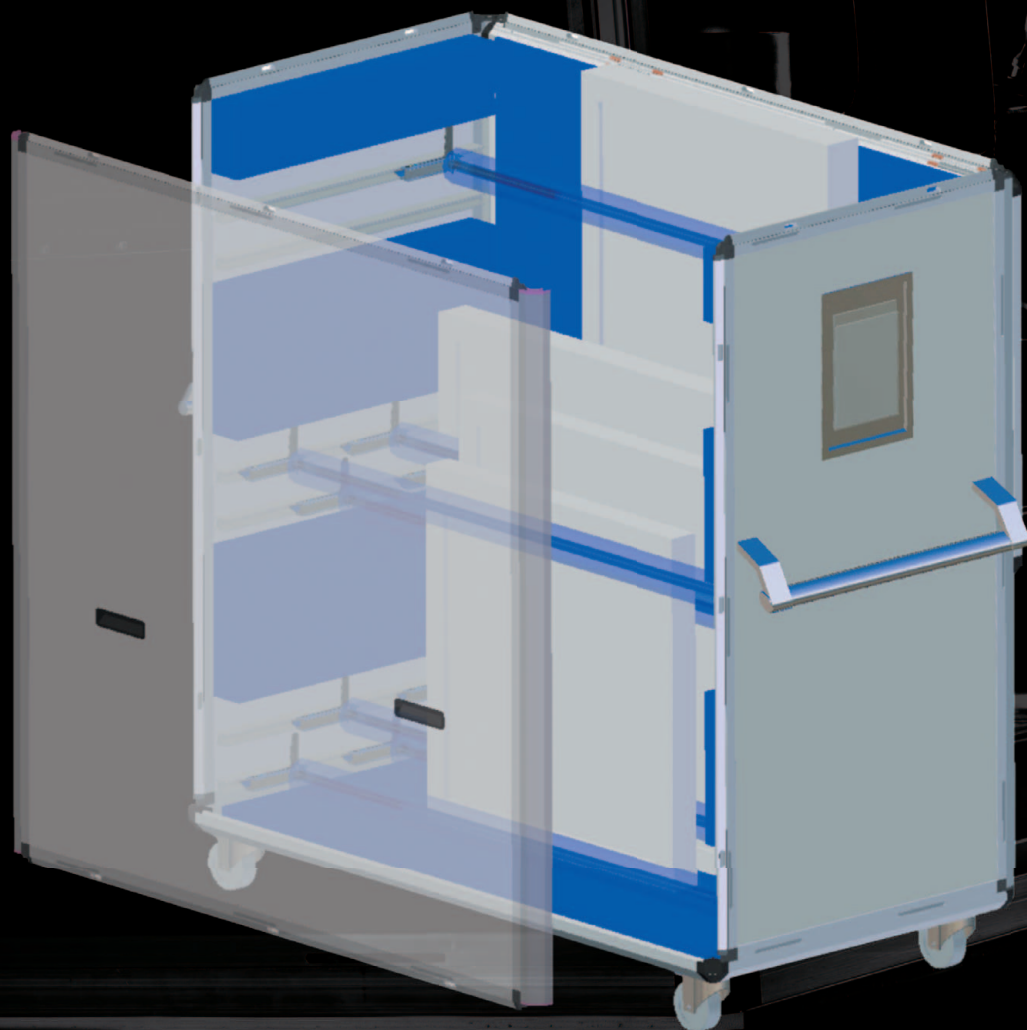


Christoffel[®] XL



fawicsystems[®]



www.controlcargo.nl

From the past to...the future

The XL is the second offspring in the Christoffel® series.

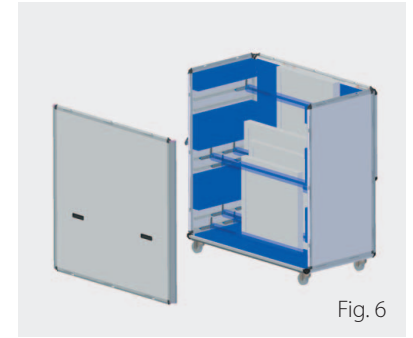
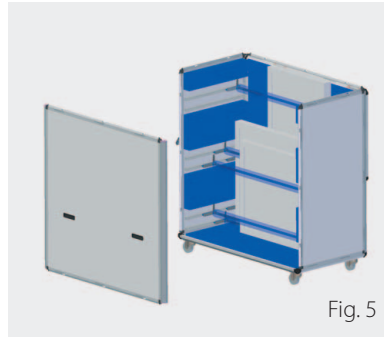
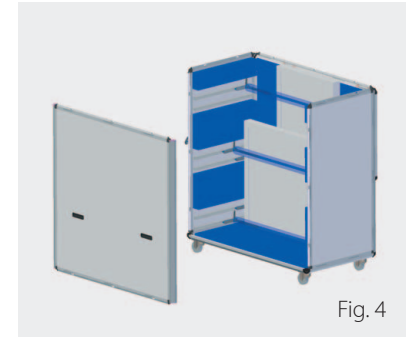
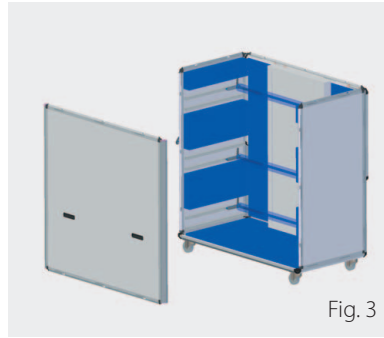
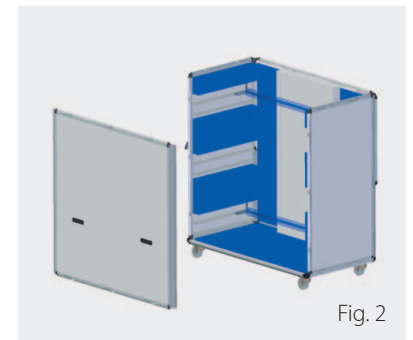
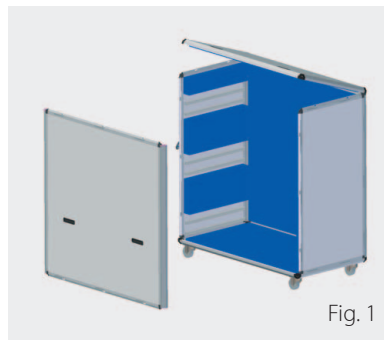
Similarly to its brothers: I-II-III-IV and the 3D this transport box provides protection for paintings while being transported for exhibition, restoration or to new premises. A special feature in relation to the Christoffel® I-II-III-IV is that several paintings can be transported in the Christoffel® XL simultaneously. The Christoffel® XL completely meets the stringent requirements for the transportation of paintings.

Transport

Christoffel® XL protects paintings against dust, moisture and mechanical influences such as vibrations. If desired for external use, a buffered frame fitted with 'damped' wheels can be placed under the box. The dimensions of the box take account of the standard transportation size of 1200 mm. The dust-resistant and splash-proof FB20 locking system provides the best protection for all your transported objects and ensures rapid assembly and disassembly on arrival and departure, without tools. To prevent damage the box does not contain any protruding parts. It is almost impossible for unauthorised persons to open the Christoffel® XL due to the locking system with locking pins that secure the locks.

Interior

In order to protect the paintings the interior of the Christoffel® XL is fitted as standard with an LD29 foam layer that can be covered with felt if desired. The works of art can be secured with the fastening arms, which are fitted with the FB20 locking system. The fastening arms are surrounded by foam sleeves that are covered with felt. An 'anti-slide security feature' has also been included. You can choose a version with a hinge that can rotate through 270 degrees, or the standard version with a removable lid.



Dimensions	
Exterior length x width x height	Interior length x width x height
1500 x 790 x 1500 mm	1350 x 640 x 1390 mm
2150 x 790 x 2150 mm	1950 x 640 x 2000 mm
2150 x 1200 x 2150 mm	1950 x 1050 x 2000 mm
Height excludes wheel height / Other sizes on request	

Saint Christoffel (Christopher) is the patron saint of all road users, carpenters, painters, pilgrims, fruit traders, bookbinders, treasure hunters, arquebus shooters, hat makers, gardeners and children and a guardian against infectious diseases, unexpected death, the plague, drought, storms, hail, floods, fire, eye diseases, and toothache and a guardian of the inhabitants of the city of Roermond, where a large statue of him stands on top of the cathedral with Jesus at his shoulder. This city is the home of the only Saint Christopher Cathedral in the world.



Fawic BV
Nijverheidsweg 21
7161 AA Neede
The Netherlands

P.O. Box 21
7160 AA Neede
The Netherlands

T +31(0)545 275 186
F +31(0)545 271 032

info@fawic.nl
www.fawic.nl



fawicsystems®

fawic.nl/christoffel